

Benchtop housing **TG01** (Execution 01)

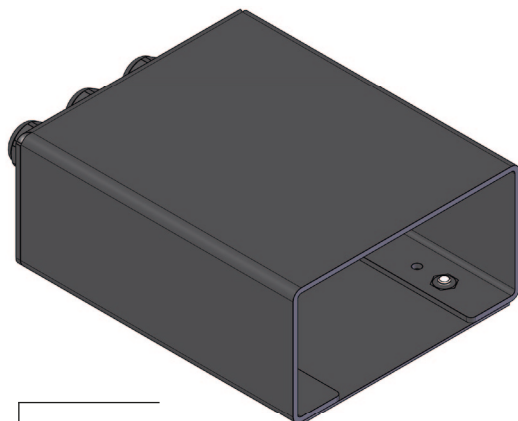


SIKO GmbH

Address
 Weihermattenweg 2
 79256 Buchenbach

Telephone
 +49 7661 394-0
Fax
 +49 7661 394-388

eMail
 info@siko.de
Internet
 www.siko.de



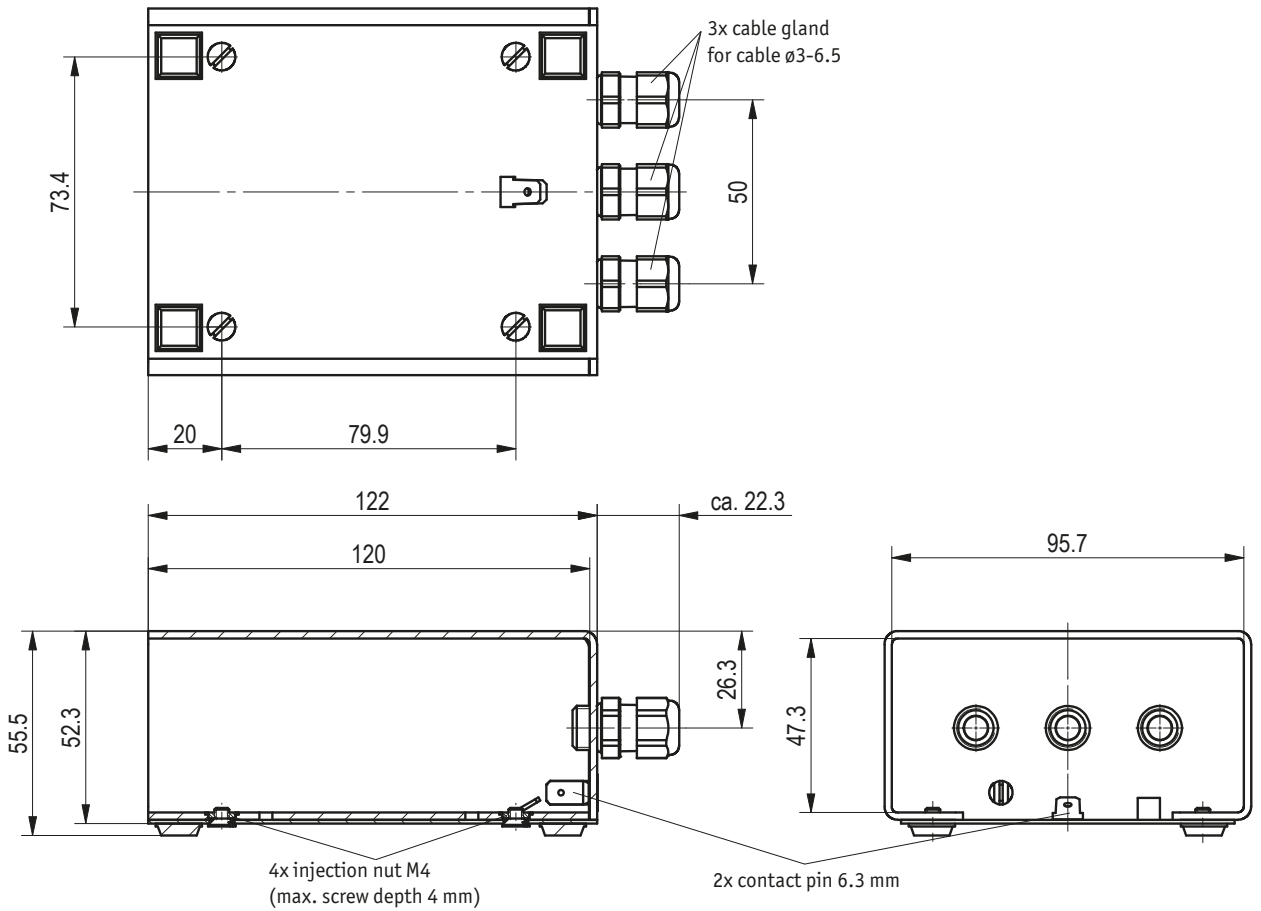
Features:

- Benchtop housing for panel-mount displays
- Easy + quick mounting
- VDE-conform housing

Feature	Order text	Additional information
Execution	01	standard

Your ordering: -

Benchtop housing TG01 (Execution 01)



Technical data

Mechanical data:

Housing aluminium black

Electrical data:

Type of connection 3x cable gland (PA) earthing by contact pin 6.3 mm

Additional information

for cable \varnothing 3-6.5