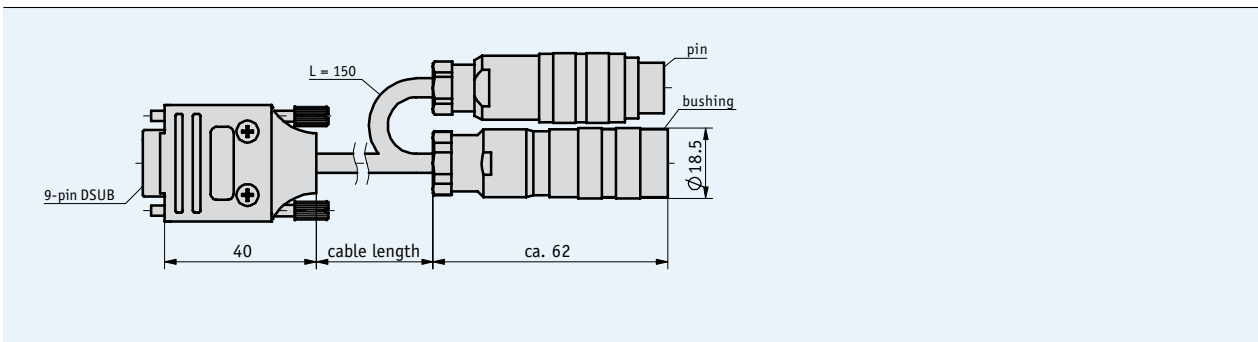


Profile

- Ready-to-use cable connection
- Cable lengths up to 5 m



4.2

Mechanical data

Feature	Technical data	Additional information
Cable	PVC	
Temperature range	-30 ... +80 °C	

Order

■ **Order table**

Feature	Order text	Specification	Additional information
Cable length in m	...	1.0, 2.0, 5.0	

■ **Order code**

KA232 - AG02/S1/00 -

Scope of delivery: KA232