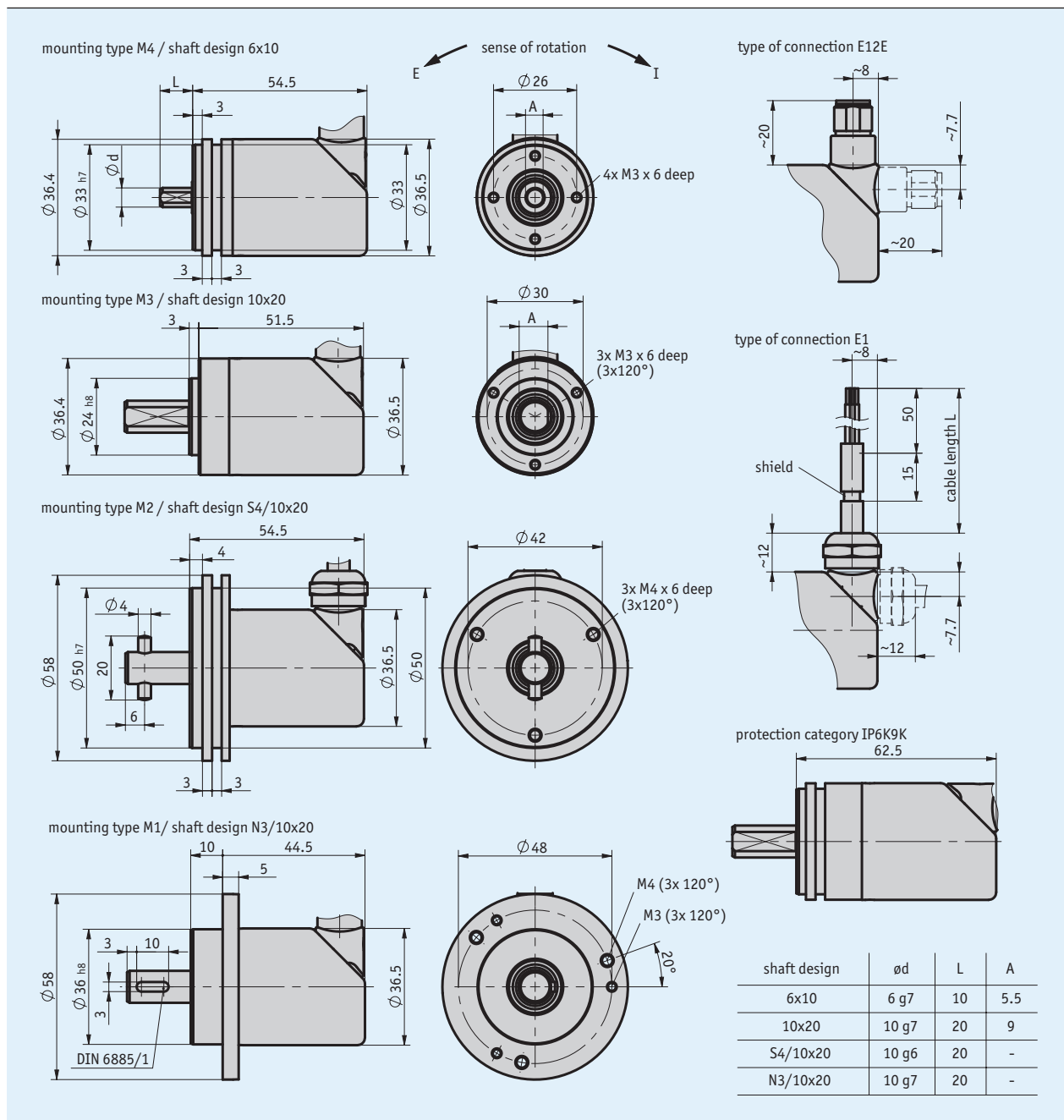


Profile

- CANopen (DS406) or SAE J1939 interface
- Extremely compact design with $\varnothing 36$ mm flange
- Single turn or multiturn variant available
- E1 approval by the German Federal Motor Transport Authority (KBA) pending
- Protection class up to IP6K9K
- With PURE.MOBILE technology



Mechanical data

Feature	Technical data	Additional information
Shaft	rustproof stainless steel	
Flange	aluminum	
Housing	rustproof stainless steel	
Speed	≤6000 rpm	with protection class IP65
	≤3000 rpm	with protection classes IP67 and IP6K9K
Moment of inertia	<3.5 gcm ²	
	<4 gcm ²	with protection class IP6K9K
Starting torque	≤2 Ncm at 20° C	
Shaft load rating	≤60 N	radial
	≤40 N	axial
	≤200 N	radial, with protection class IP6K9K
	≤200 N	axial, with protection class IP6K9K

Electrical data

Feature	Technical data	Additional information
Operating voltage	8 ... 36 V DC	reverse-polarity protected
Power input	≤1 W	at 36 V, without load
Parameter storage	10 ⁵ cycles	also applies to calibration operations
Status display	1x two-color LEDs (red/green)	device / CAN status
Power rating	±36 V	CAN interface
Interface	according to ISO 11898-1, not electrically isolated	CANopen
	according to ISO 11898-1, not electrically isolated	SAE J1939 Safety
Address	1 ... 127	CANopen, CANopen Safety
	128 ... 238	SAE J1939 Safety
Baud rate	20 kbit/s	CANopen
	50 kbit/s	CANopen
	125 kbit/s	CANopen, SAE J1939
	250 kbit/s	CANopen, SAE J1939
	500 kbit/s	CANopen, SAE J1939
	800 kbit/s	CANopen
	1 Mbit/s	CANopen
Cycle time	<10 ms	
Starting time	<1000 ms	
Parameter	according to CiA 301, CiA 303 Part 3, CiA 305, CiA 406	CANopen
	according to SAE J1939-76	SAE J1939 Safety
Type of connection	1x M12 connector (A-coded)	5-pole, 1x pin (E12E connection type)
	open cable end	stranded wire cross-section 0.5 mm ² (E1 connection type)

System data

Feature	Technical data	Additional information
Scanning	magnetic	
Resolution	14 bit singleturn, 16384 steps/rotation	singleturn, 16384 steps/rotation
Measuring range	1 revolution(s)	singleturn
	4096 revolution(s)	12 bit
	65536 revolution(s)	16 bit

Ambient conditions

Feature	Technical data	Additional information
Ambient temperature	-40 ... +85 °C	
Storage temperature	-40 ... +85 °C	
Relative humidity	100 %	condensation permitted
Protection category	IP65	EN 60529
	IP67, IP6K9K	EN 60529, ISO 20653, according to assembly instructions and with suitable mating connector
	IP6K9K	ISO 20653
Salt spray test	severity level 4	EN 60068-2-52, installed according to assembly instructions and with suitable mating connector

Pin assignment

E12E

Signal	PIN
nc	1
+UB	2
GND	3
CAN_H	4
CAN_L	5

E1

Signal	Cable color E1
nc	white
+UB	brown
GND	green
CAN_H	yellow
CAN_L	gray

Order

Ordering table

Feature	Ordering data	Specification	Additional information
Interface/protocol	CAN	CANopen	
	J1939	SAE J1939	
Number of revolutions	1	singleturn	
	4096	12 bit	
	65536	16 bit	
Shaft diameter x length	10x20	∅10 mm x 20 mm	
	6x10	∅6 mm x 10 mm	
	N3/10x20	∅10 mm x 20 mm, key	
	S4/10x20	∅10 mm x 20 mm, notch pin	
Mounting type	M1	clamp flange ∅58 mm	
	M2	servo flange ∅58 mm	
	M3	clamp flange ∅36 mm	
	M4	servo flange ∅36 mm	
Protection category	IP65	IP65	
	IP67	IP67	
	IP6K9K	IP6K9K	only with shaft diameter 10
Position of electrical connection	A	axial	
	R	radial	
Type of connection	E1	open cable end	
	E12E	bus IN	
Cable length	OK	without cable	only with type of connection E12E
	...	01.0, 02.0, 03.0, 05.0, 10.0 in m	only with type of connection E1

Order key



Scope of delivery: Quick Start Guide, WV3600M

Accessories:

Cable extension KV0550

Mating Connector Overview

Mating connector, 5-pole, socket

Mating connector, 5-pole, angle socket

www.siko-global.com

www.siko-global.com

Order key 84109

Order key 83006